

THULE Atlantis 780

679/602006

5 *års garanti*
years warranty
Jahre Garantie
ans de garantie

Technical approval:

TÜV/GS, City-crash approved.

Materials:

Special UV-protected and impact resistant box material.

Colour:

Lid - Silver glossy

Base - Anthracite

Method of manufacture:

Vacuum forming

Assembly:

Power-Grip mounting system, allows mounting on bars max. 80 mm wide and 35 mm high.

Distance roof bars 575-975 mm.

Dimensions/Weight:

Length: 1970 mm

Width: 780 mm

Height: 440 mm

Volume: 480 litres

Weight: 18 kg

Load:

Maximum load: 75 kg. Observe vehicle manufacturers instructions and maximum roof load.



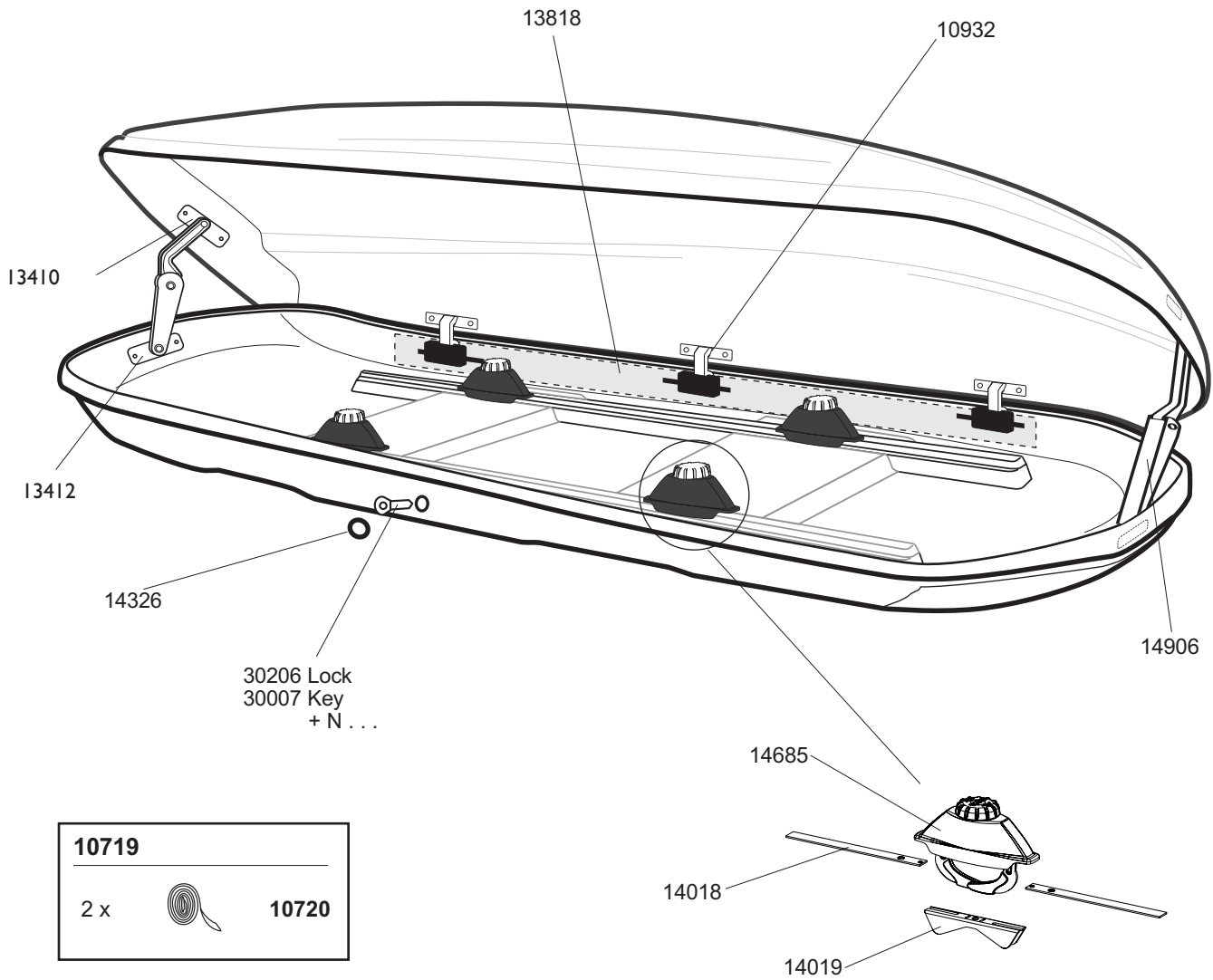
- New mounting system Power-Grip.
- Lowered base design for reduced wind resistance.
- Dual-Side opening.
- Dual-Force lid lifters.
- Central locking.
- Special UV-protected and impact resistant box material in new silver glossy material.
- TÜV-GS/City crash approved.
- Ski carrier as separate accessory, art. no. 718.
- Thule One-key-system.



THULE Atlantis 780

THULE
SWEDEN

Label Thule black: 14713
Label Atlantis 780: 18560



Packaging

| Product | EAN | Kg | L/W/H in cm |
|------------|---------------|----|-------------|
| 679 | 4002253602006 | 24 | 200/83/45 |

| Vehicle | Pcs |
|-------------------------|-----|
| Truck | 100 |
| 20' Container | 40 |
| 40' Container | 81 |
| 40' High cube container | 81 |